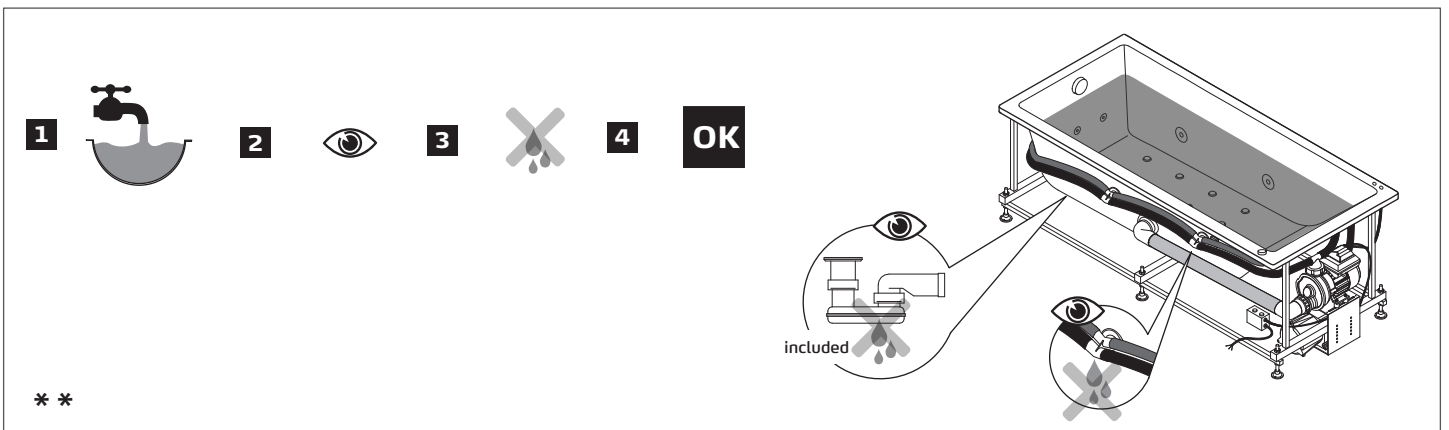
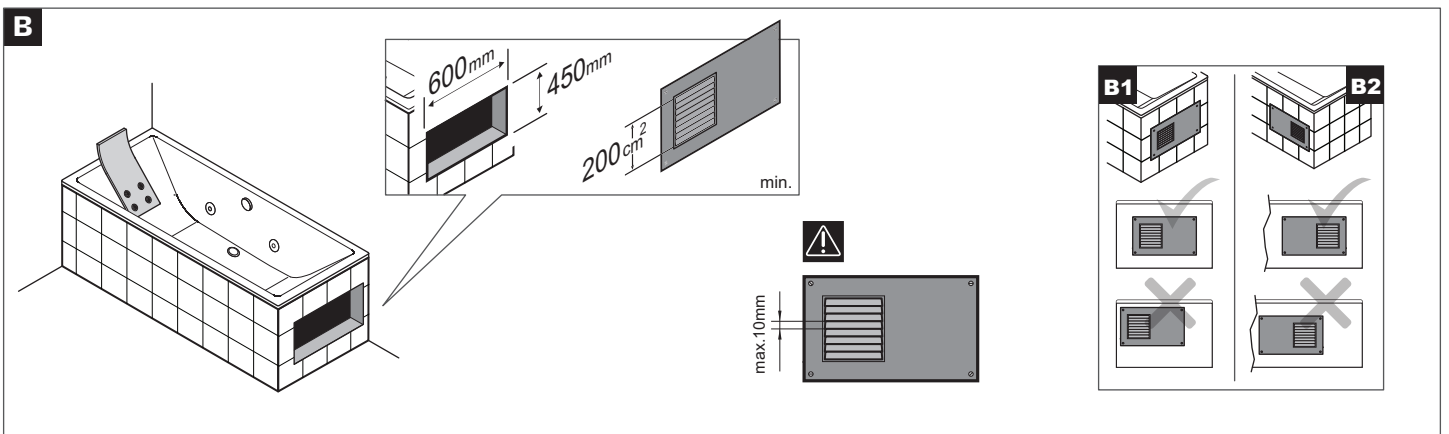
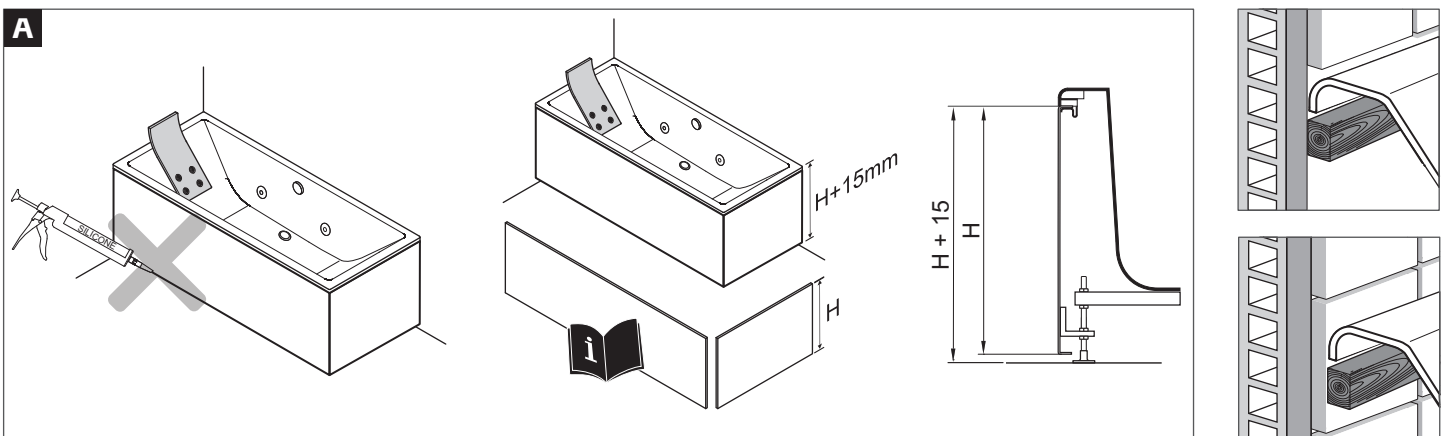
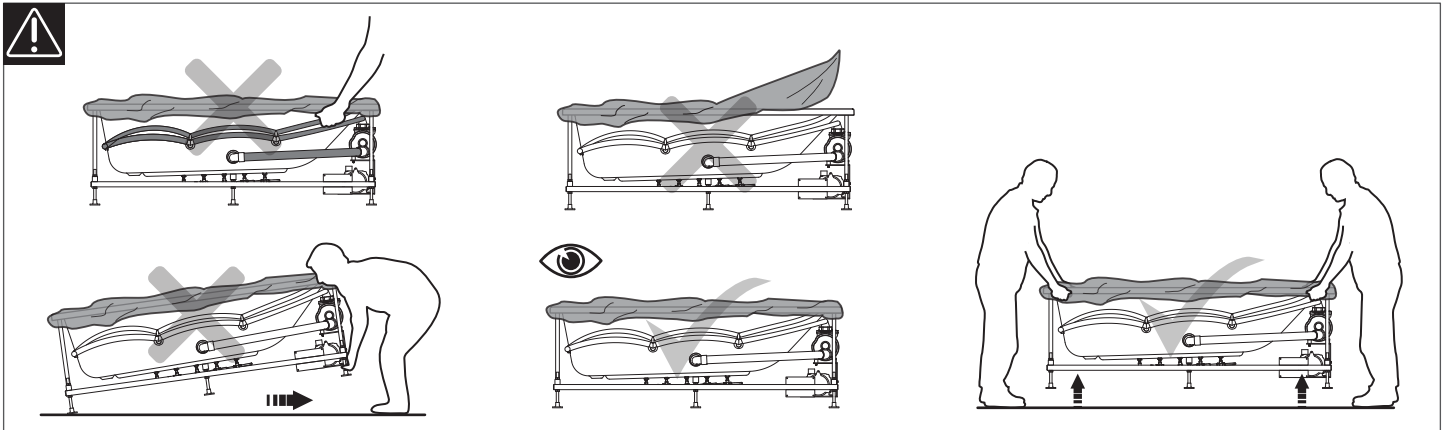
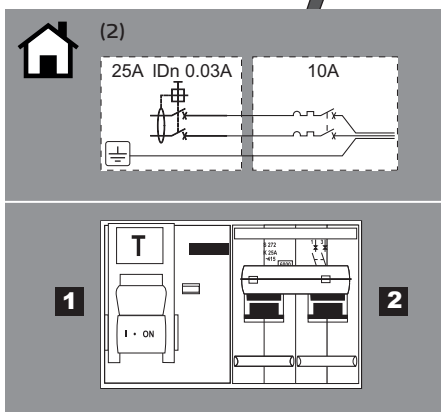
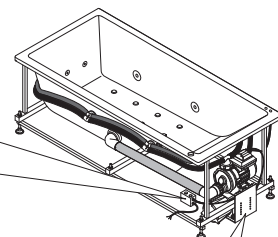
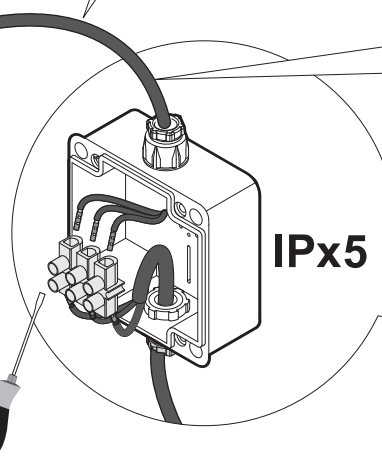
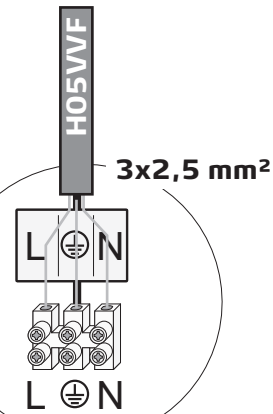
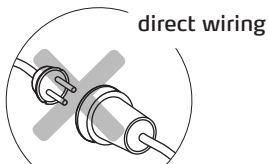
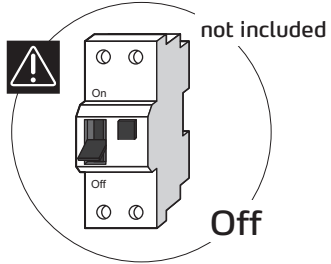
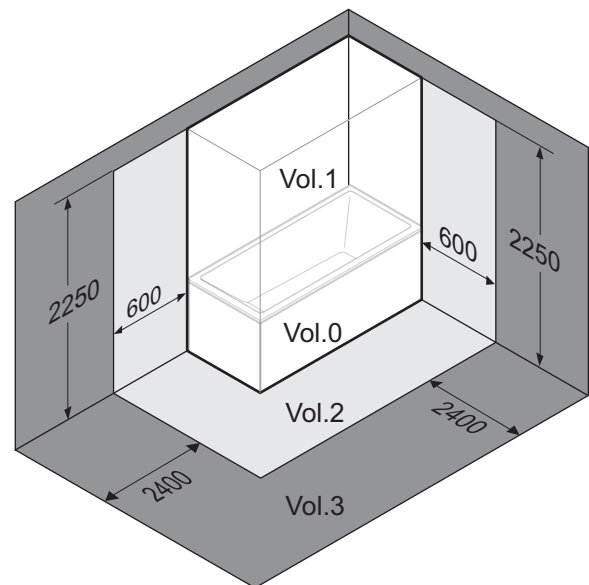
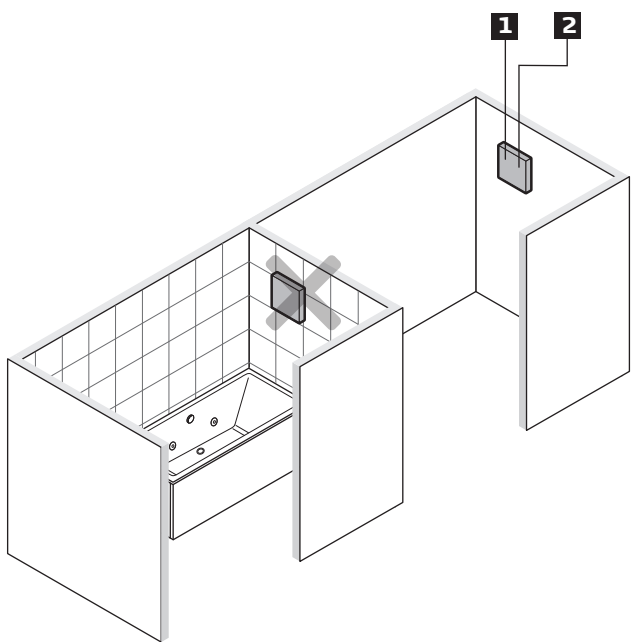
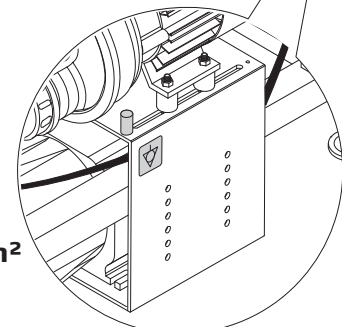
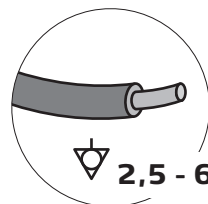


emotive touch | sensitive touch | sensitive smart



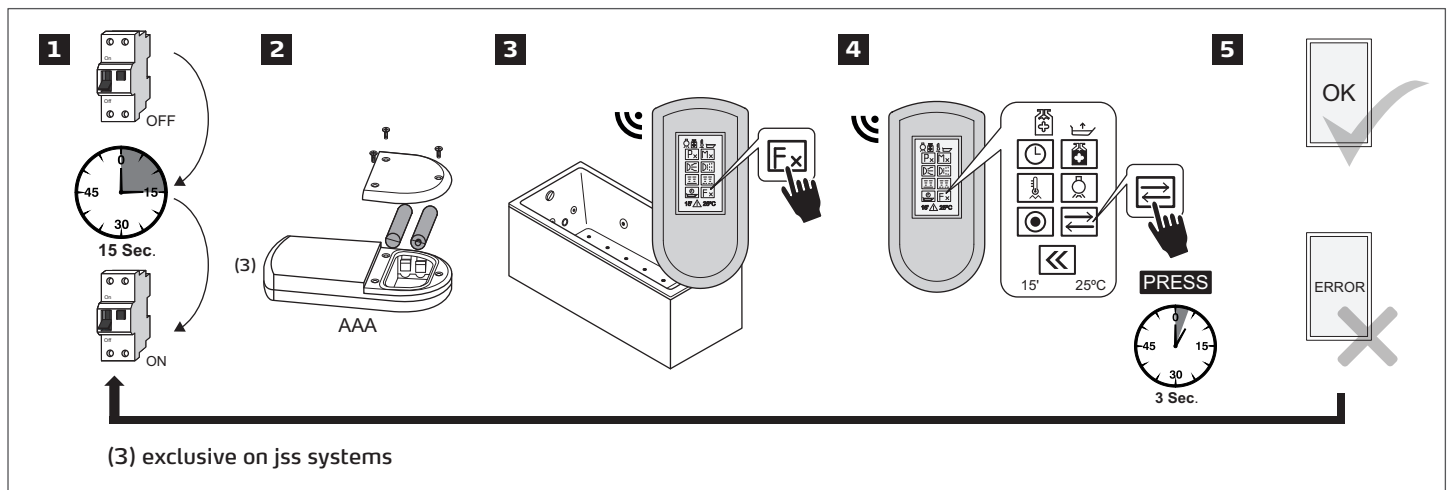


(2) according to present norms



	RATED POWER	RATED INTENSITY	CE \oplus ∇
EMOTIVE TOUCH	650W	3.5A	220-230V-50/60 Hz(1)
SENSITIVE TOUCH	1500W	8A	
SENSITIVE SMART	1500W	8A	
S. S. COMFORT	3000W	15A	

(1) according to the model



The installation must be made by qualified technicians, and all recommendations in this tub manual must be respected.

The tub must be connected to a 220/230V electrical tension. The housing electrical installation must have a 30mA differential switch, or more sensible, according to the standards in the geographic area of installation, as well as a proper thermal magneto.

An equipotential connection between the metal parts of the tub must be made, complying with the standards in each country.

No wiring not complying with an IPX5 protection degree must be made inside volume 1. We recommend the usage of a junction box for this aim, which fulfils the mentioned protection. Beware of making this wiring 200mm above the floor level.

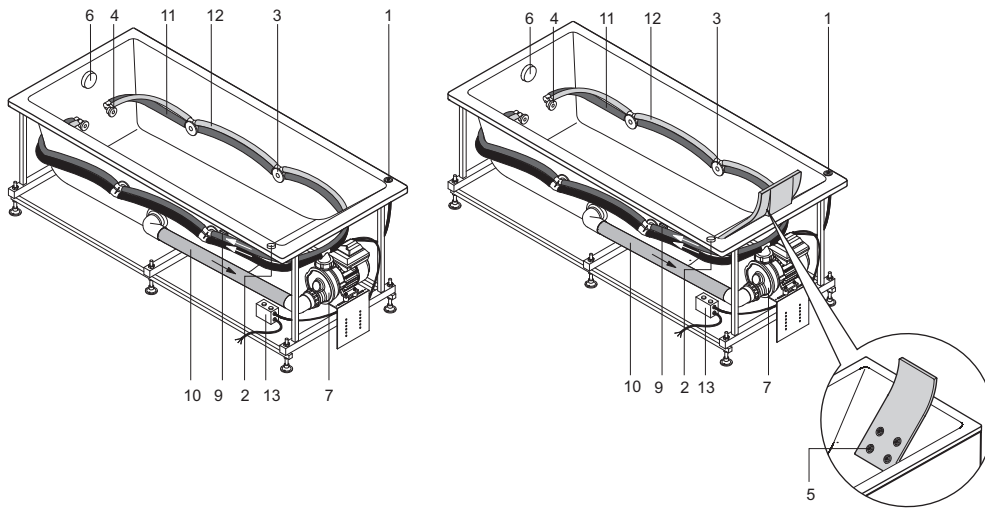
No switches, outlets nor lightning equipment shall be installed on volumes 0 and 1. Signalling buttons or loud alarms are possible above these volumes, activated by a string or non-hygroscopic insulating cable.



On volume 2 no switches shall be installed, but you may install safety outlets. You may also install fixed lightning apparatus, preferably those of class 2 of insulation, or those which have no accessible metal parts, and in the bulb supports no random contacts with active parts should be made when putting or removing bulbs. In these lightning apparatus there must be no switches or outlets, except safety outlets.

This apparatus may be used by 8-year-old or older children, and by people with reduced mental, sensory and physical abilities, or even by people with some lack of experience and knowledge, if they have had some training on the safe usage of the equipment and if they are aware of the risks involved.

The cleaning and maintenance of the equipment shouldn't be carried out by children without supervision. Children must not play with the equipment.

emotive touch | emotive touch dorsal

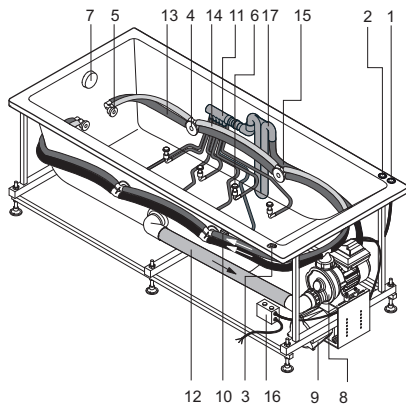





- 1- Motor pump digital control – ON/OFF (lateral+dorsal jets) 
- 2 - Air flow regulator 
- 3 - Lateral Jets (venturi)
- 4 - Foot Jets (venturi)

- 5 - Dorsal Jets (venturi)
- 6 - Automatic drain valve
- 7 - Water flow motor pump (Lateral jets + plantain jets)
- 8 - Water flow motor pump (dorsal jets)

- 9 - Safety electronic water level sensor
- 10 - Water circulation circuit (outflow)
- 11 - Water circulation circuit (inflow)
- 12 - Air blower circuit (venturi)
- 13 - Junction box

sensitive touch

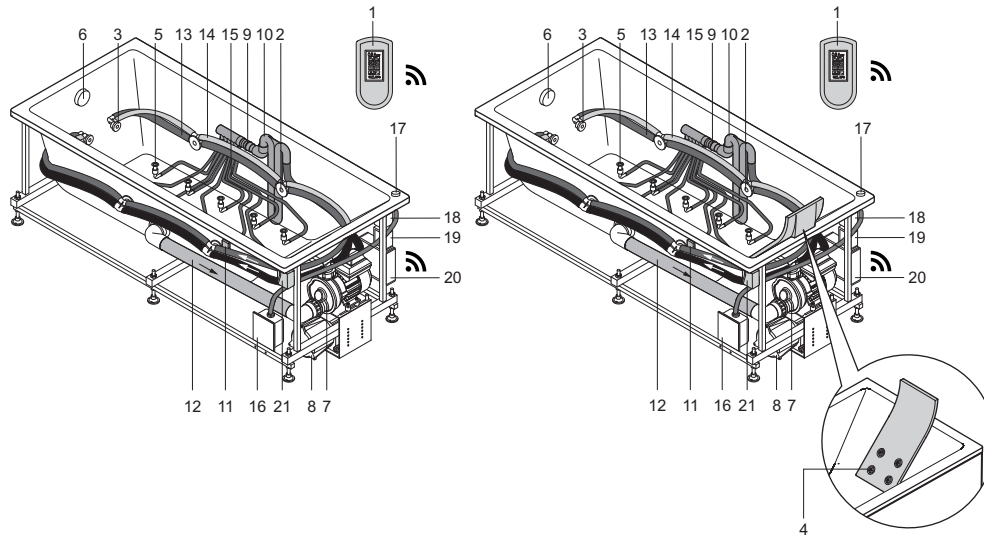


- 1 - Motor pump digital control – ON/OFF (lateral jets) - blue 
- 2 - Blower digital control On/Off (bottom jets) - green 
- 3 - Air flow regulator 
- 4 - Lateral Jets (venturi)
- 5 - Foot Jets (venturi)
- 6 - Floor jets

- 7 - Automatic drain valve
- 8 - Water flow motor pump (lateral + bottom + plantain jets)
- 9 - Air blower (bottom jets)
- 10 - Safety electronic water level sensor
- 11 - Distributer and backstop valve
- 12 - Water circulation circuit (outflow)
- 13 - Water circulation circuit (inflow)

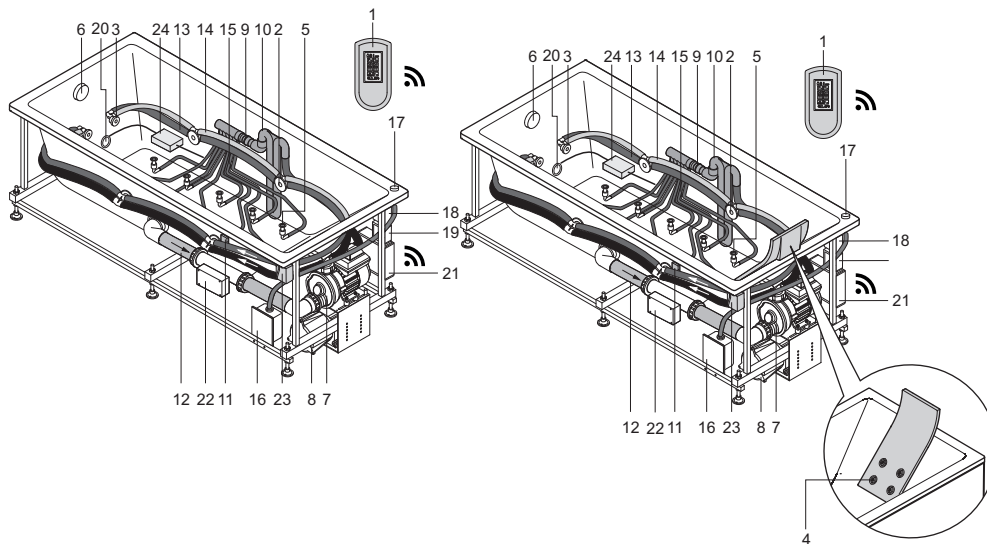
- 14 - Air blower circuit (venturi)
- 15 - Air blower circuit (bottom jets)
- 16 - Junction box
- 17 - Blower security syphon

sensitive smart | sensitive smart dorsal



- | | | |
|---------------------------------|---|--|
| 1 - Touch screen remote control | 8 - Air blower | 15 - Air blower circuit (bottom jets) |
| 2 - Lateral Jets (venturi) | 9 - Distributer and backstop valve | 16 - Disinfection unit |
| 3 - Foot Jets (venturi) | 10 - Blower security syphon | 17 - Refilling point for disinfection liquid |
| 4 - Dorsal Jets (venturi) | 11 - Safety electronic water level sensor | 18 - Junction box |
| 5 - Floor jets | 12 - Water circulation circuit (outflow) | 19 - Blower elect. control unit (TRIAC) |
| 6 - Automatic drain valve | 13 - Water circulation circuit (inflow) | 20 - Electronic main control unit |
| 7 - Water flow motor pump | 14 - Air blower circuit (venturi) | 21 - Elect. air flow regulator |

sensitive smart comfort | sensitive smart comfort dorsal

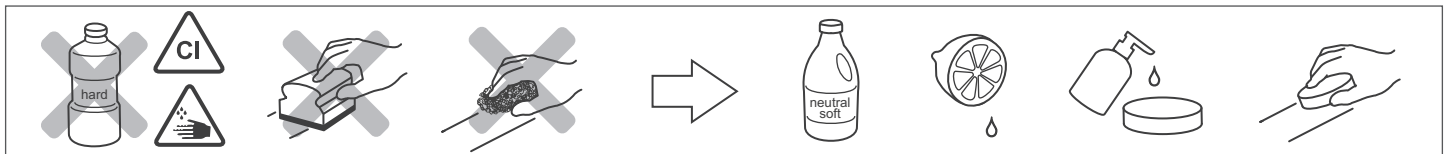


- | | | |
|------------------------------------|--|--|
| 1 - Touch screen remote control | 10 - Blower security syphon | 18 - Junction box |
| 2 - Lateral Jets (venturi) | 11 - Safety electronic water level sensor | 19 - Blower elect. control unit (TRIAC) |
| 3 - Foot Jets (venturi) | 12 - Water circulation circuit (outflow) | 20 - Spot LED RGB |
| 4 - Dorsal Jets (venturi) | 13 - Water circulation circuit (inflow) | 21 - Electronic main control unit |
| 5 - Floor jets | 14 - Air blower circuit (venturi) | 22 - Electric heating resistor for maintaining temperature |
| 6 - Automatic drain valve | 15 - Air blower circuit (bottom jets) | 23 - Elect. air flow regulator |
| 7 - Water flow motor pump | 16 - Disinfection unit | 24 - Spot LED RGB elect. control unit |
| 8 - Air blower | 17 - Refilling point for disinfection liquid | |
| 9 - Distributer and backstop valve | | |



Acrylic	EN 198	Specifications for domestic use bathtubs made from crosslinked cast acrylic sheets
	EN 263	Specifications of crosslinked cast acrylic sheets for baths and shower trays for domestic purposes.
	EN 232	Bathtubs – connecting dimensions
	EN 14516:2006+A1	Domestic use bathtubs
	EN 12764:2004+A1	Specifications for whirlpool bathtubs.
	EN 60335-1:2012	Safety of household and similar electrical appliances. General rules.
	EN 60335-2-60:2003 + A1:2005 + A2:2008 + A11:2010 + A12:2010	Safety of household and similar electrical appliances. Particular requirements for whirlpool baths.
	EN 61000-3-2 (2006)+A1(2009) +A2(2009) EN 61000-3-3 (2008) EN 55014-1 (2006) EN 55014-2 (1997)+A1(2001) +A2(2008)	Electromagnetic compatibility (EMC). Emission, immunity and limits. Requirements for household appliances and others.

**** BEFORE INSTALLING THE BATH, FILL IT WITH WATER AND CHECK THAT THERE ARE NO LEAKS AND THAT ALL THE HYDROMASSAGE BATH ELEMENTS OPERATE CORRECTLY. CERAMICAS GALA DECLINES ANY RESPONSABILITY BY FAILING TO CARRY OUT SUCH A CHECK.**



All information and dimensions should be considered merely approximate and are subject to modification without notice. This document cancels the former ones.